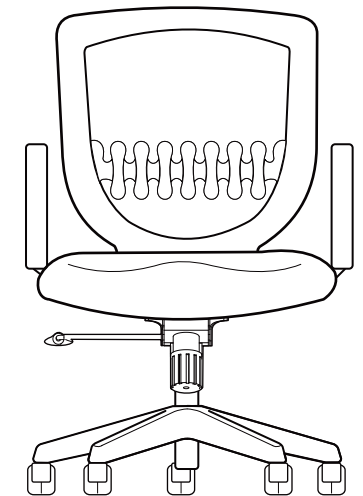
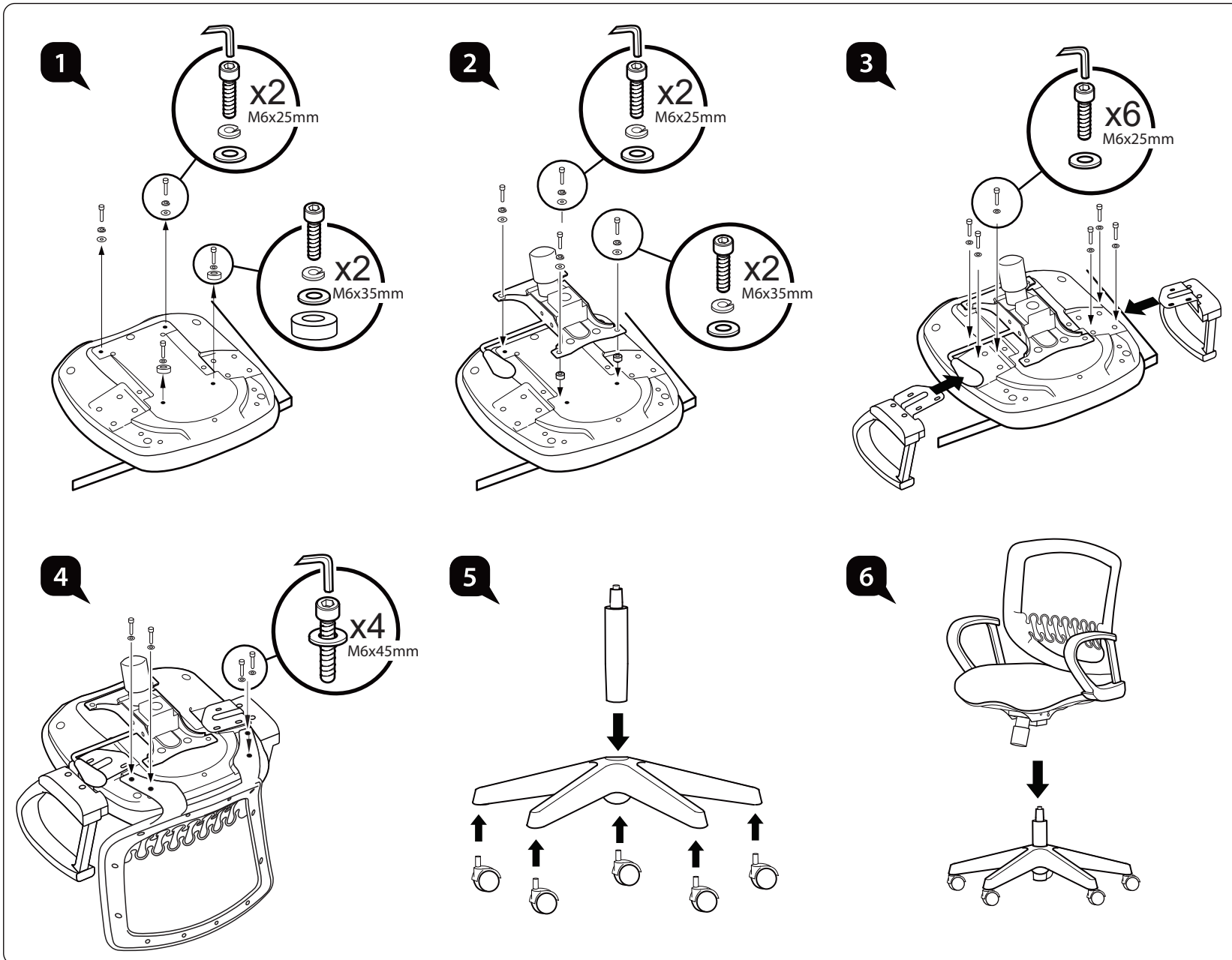


Assembly Instructions



This chair is intended for indoor desk work use.

It is equipped with a swivel base and castors to be highly mobile. As such, NEVER stand on chair to reach for high items or sit on its table or armrests or back since it may move off unexpectedly and result in a falling HAZARD.

User Instruction

- A** **Seat Height Adjustable**
Flip up lever to raise or lower seat. Adjust such that your feet are adequately supported on floor.
- B** **Tilt Lock**
Only 2 locking positions for this model. At upright position or recline to the maximum and push in lever to lock. Pull out lever to release tilt-lock.
- C** **Tilt Tension Control**
Turn bottom knob clockwise to provide a stronger tilt tension, and vice-versa. Adjust such that minimum effort is required to push back when recline.

