



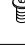
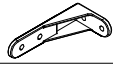






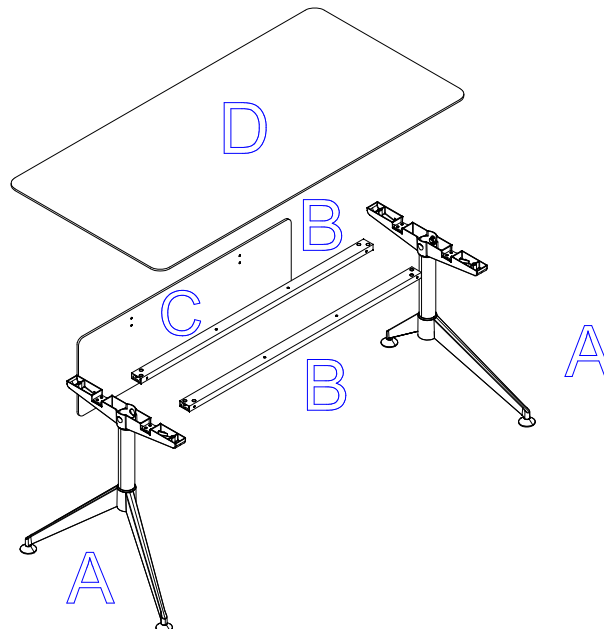
# ASSEMBLY INSTRUCTIONS



Thank you for purchasing Unique products! We trust you will be satisfied with it for many years to come. Before you discard the packing material and start assembly, please take time to identify all hardware and parts needed for completion. As you unpack, please place all parts on a clean carpeted or padded area to avoid accidental damage.

HARDWARE	MODEL NO.		
	300/301/302	400/401/402	
983400  M8	Length= $\frac{4}{5}$ "	a x 8	(Packed with steel legs.)
983401  M6	Length= $1\frac{2}{5}$ "	b x 4	(Packed with steel legs.)
983405  M6	Length= $\frac{1}{2}$ "	c x 4	
983406  M6	Length= $\frac{3}{5}$ "	d x 4	
983407  M6	Length= $\frac{1}{2}$ "	e x 4	
983408 		f x 2	
983409 		g x 2	
982724  M6		h x 1	(Packed with steel legs.)
982723  M4		i x 1	
983791 		j x 1	

## PARTS LIST AND INSTRUCTIONS



### Maintenance!

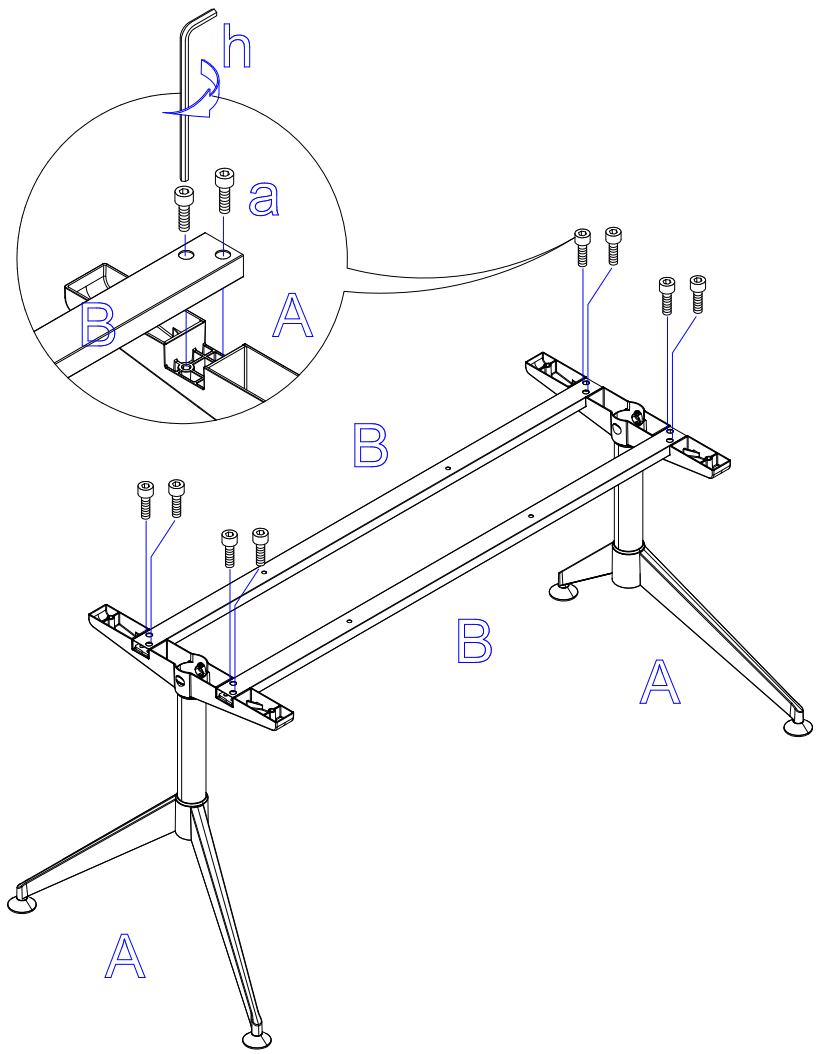
Melamine & Lacquer surfaces: Clean using a mild non detergent soap solution and wipe off excess with a dry soft cloth. Avoid placing sharp items directly on surface.

Aluminum and other metal parts: Clean using a mild non detergent soap solution and wipe off with a clean damp cloth. Use rubbing alcohol for stubborn stains.

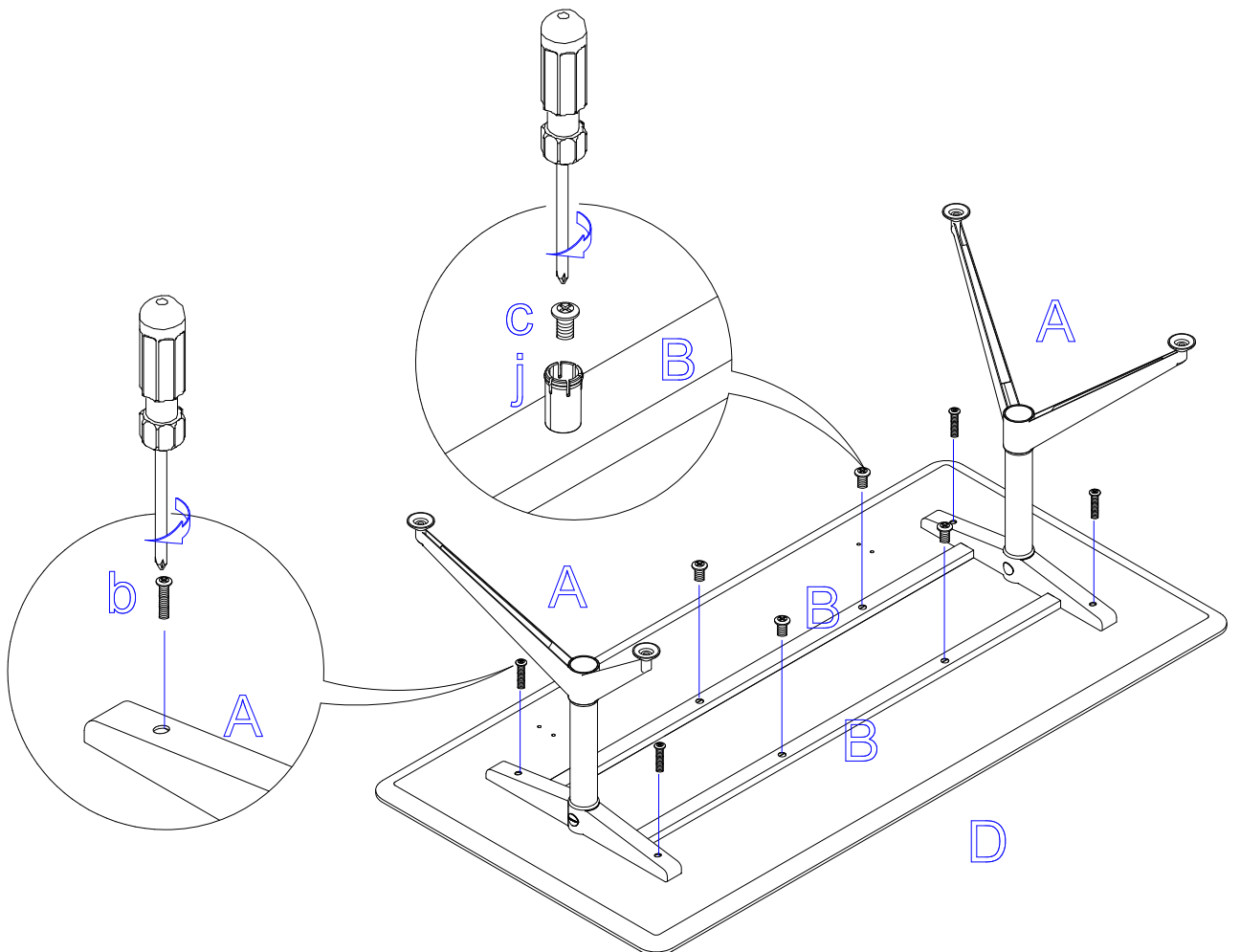
Never use solvents for cleaning furniture.

Location: Avoid placing furniture in moist areas or in direct sunlight.

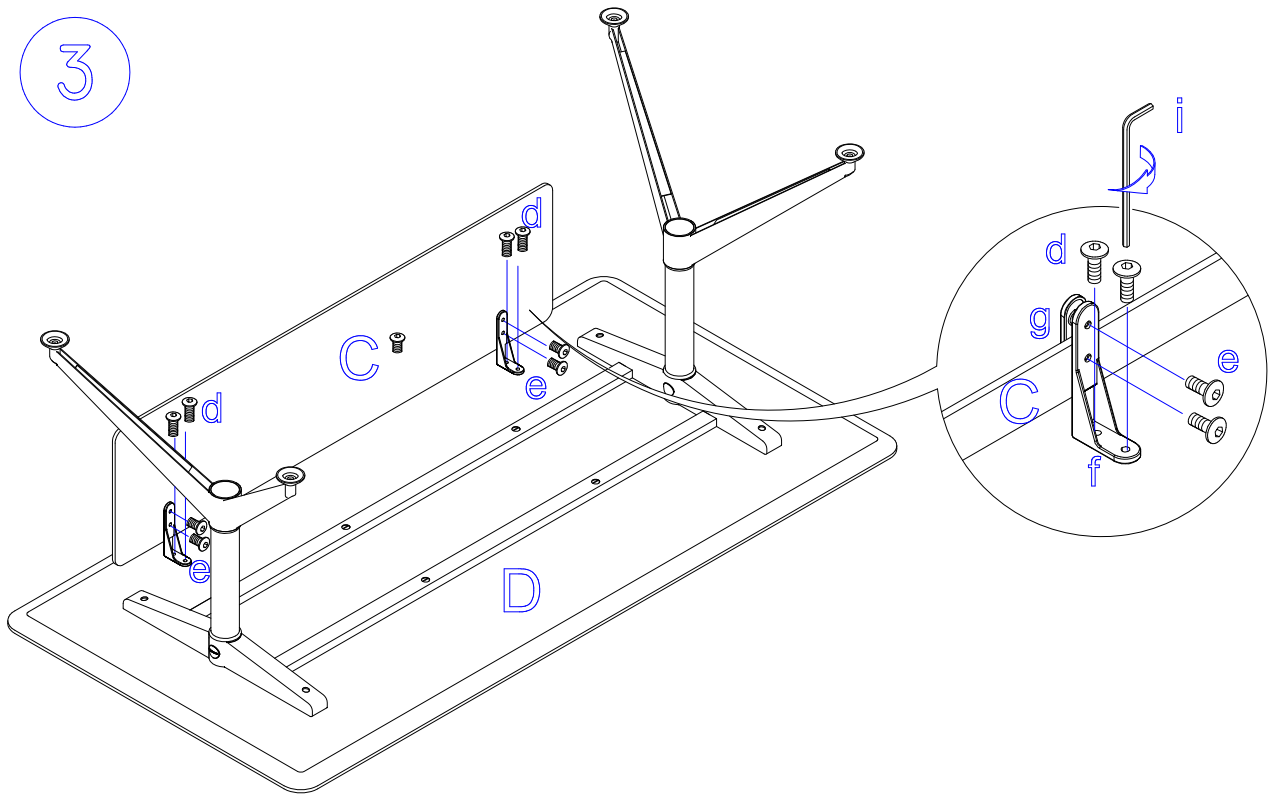
1



2



3



4

