

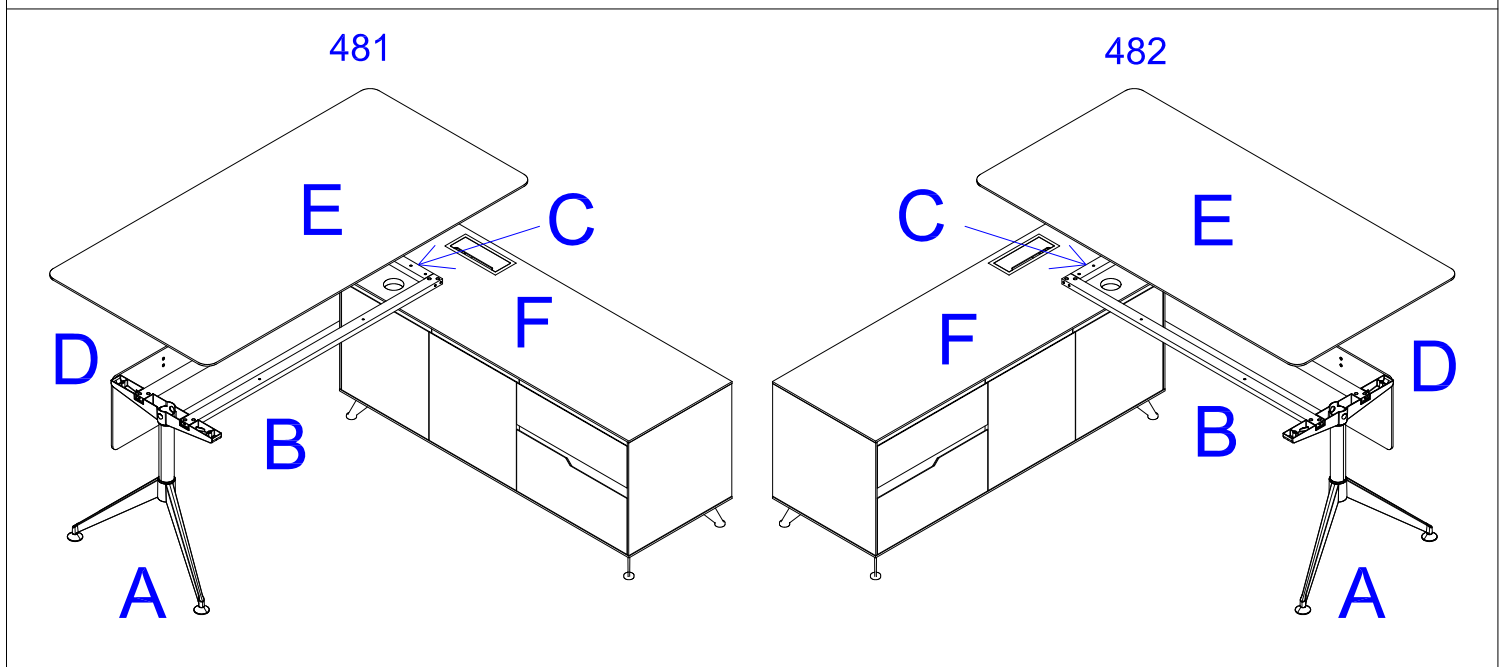
ASSEMBLY INSTRUCTIONS



Thank you for purchasing Unique products! We trust you will be satisfied with it for many years to come. Before you discard the packing material and start assembly, please take time to identify all hardware and parts needed for completion. As you unpack, please place all parts on a clean carpeted or padded area to avoid accidental damage.

HARDWARE		MODEL NO. 481/482				
983400	M8	Length= $\frac{4}{5}$ "	Packed with legs $a \times 4$	983221 M8	Length= $2\frac{2}{5}$ "	$k \times 2$
983401	M6	Length= $1\frac{2}{5}$ "	Packed with legs $b \times 2$	983423 M6	Length= $2\frac{3}{5}$ "	$l \times 1$
983405	M6	Length= $\frac{1}{2}$ "	$c \times 6$	690003		$m \times 1$
983406	M6	Length= $\frac{3}{5}$ "	$d \times 4$	983424		$n \times 2$
983407	M6	Length= $\frac{1}{2}$ "	$e \times 4$	980915		$o \times 2$
983408			$f \times 2$	983438		$p \times 1$
983409			$g \times 2$	983428		$q \times 1$
983791			$h \times 1$	982724 M6		Packed with legs $r \times 1$
983416			$i \times 5$	982725 M5		$s \times 1$
983417	M6	Length= $\frac{7}{10}$ "	$j \times 20$	982723 M4		$t \times 1$

PARTS LIST AND INSTRUCTIONS



Maintenance!

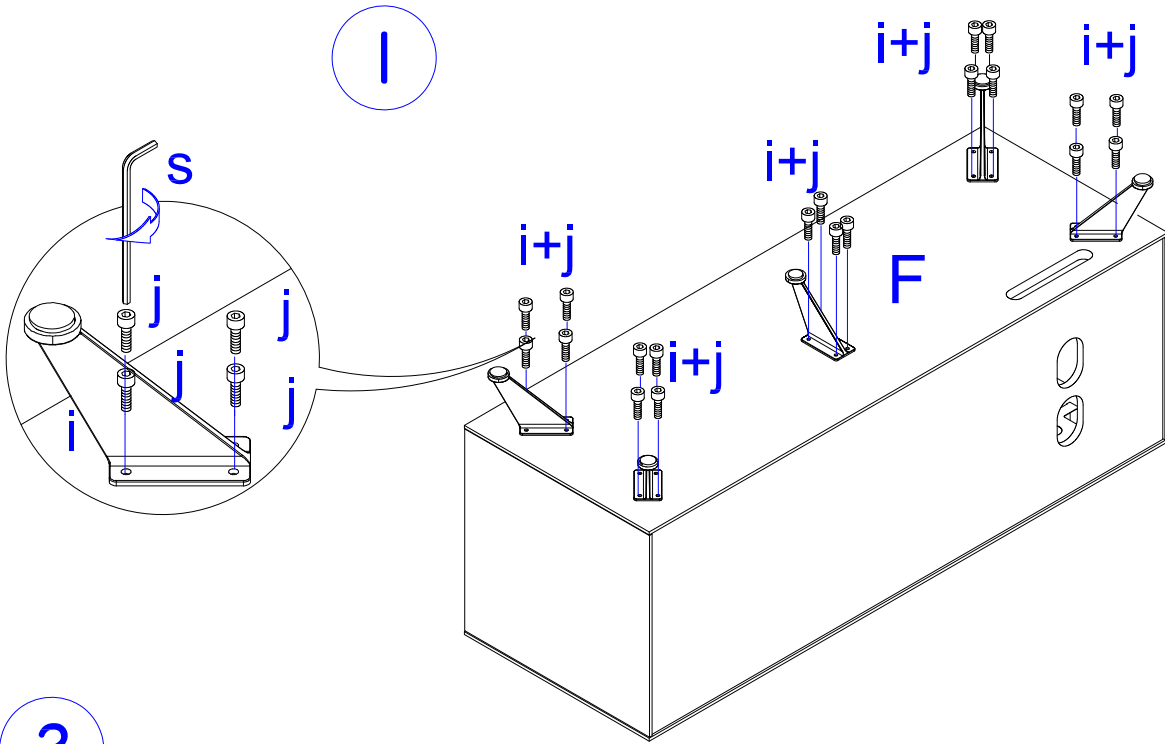
Melamine & Lacquer surfaces: Clean using a mild non detergent soap solution and wipe off excess with a dry soft cloth. Avoid placing sharp items directly on surface.

Aluminum and other metal parts: Clean using a mild non detergent soap solution and wipe off with a clean damp cloth. Use rubbing alcohol for stubborn stains.

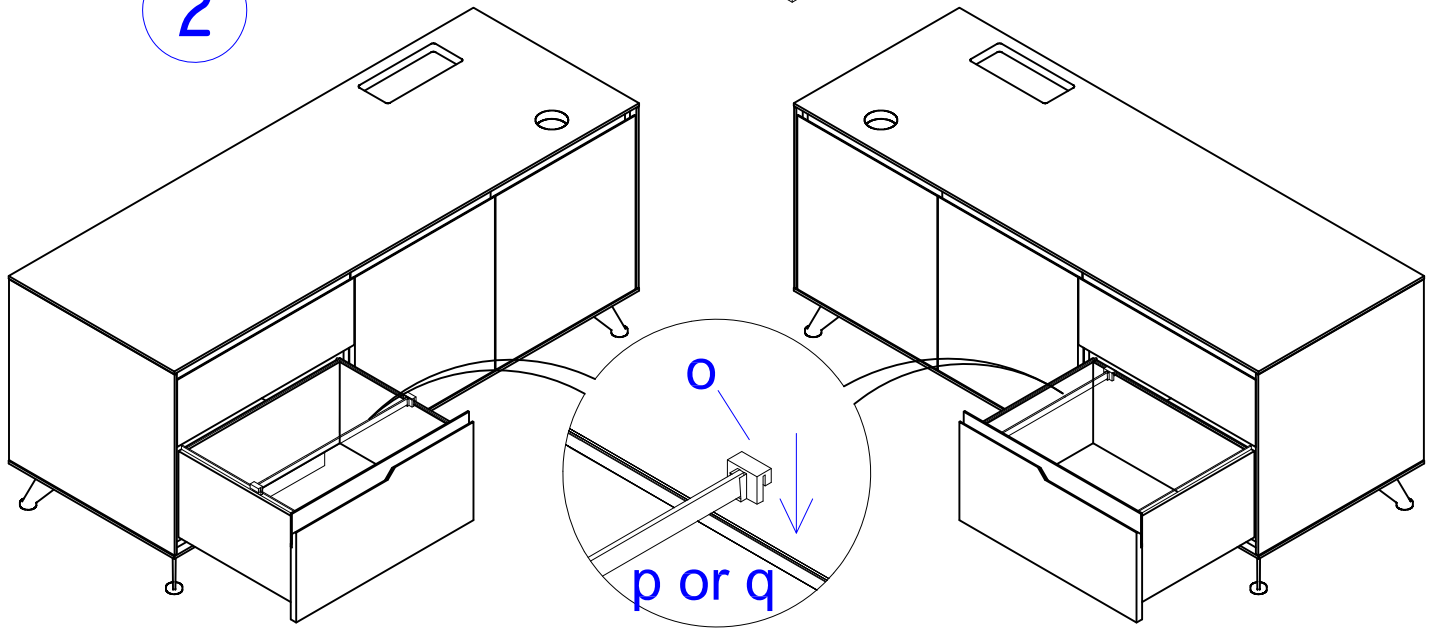
Never use solvents for cleaning furniture.

Location: Avoid placing furniture in moist areas or in direct sunlight.

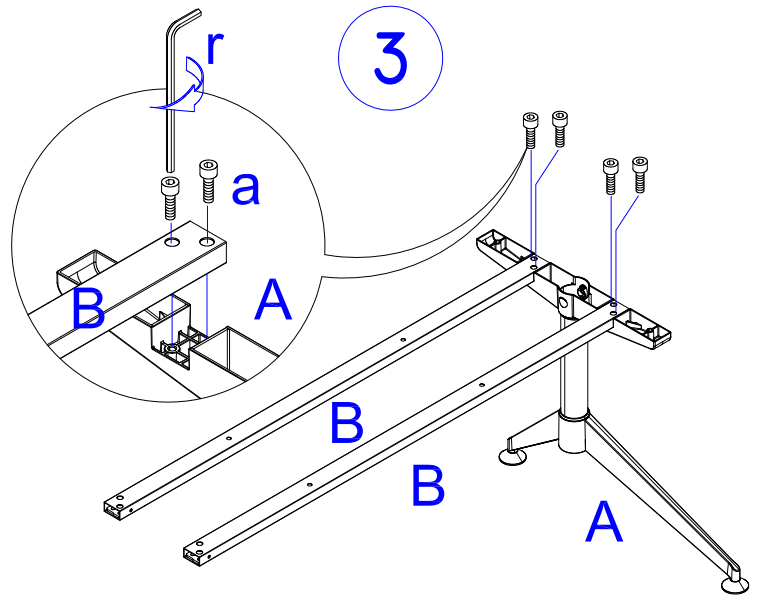
1



2



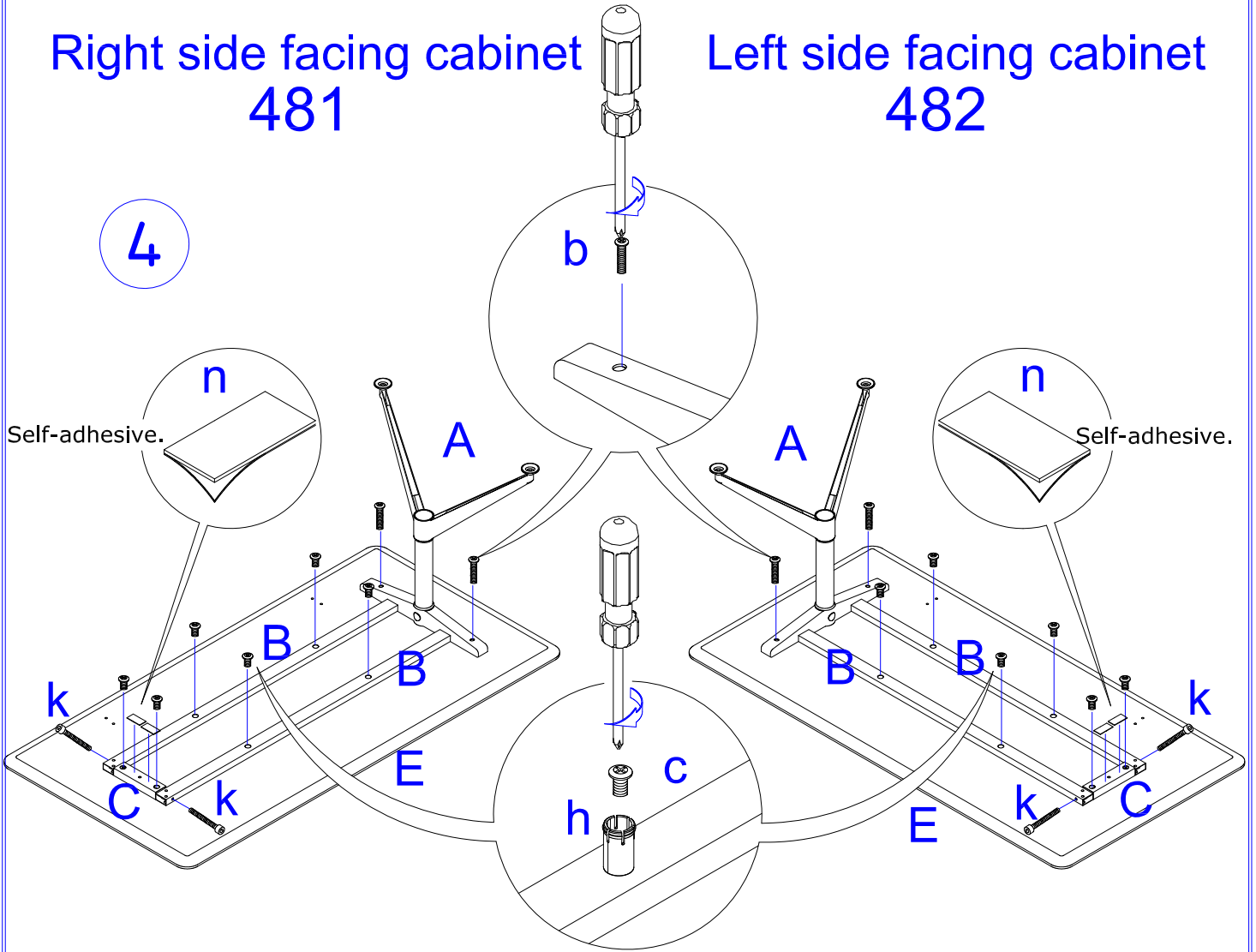
3



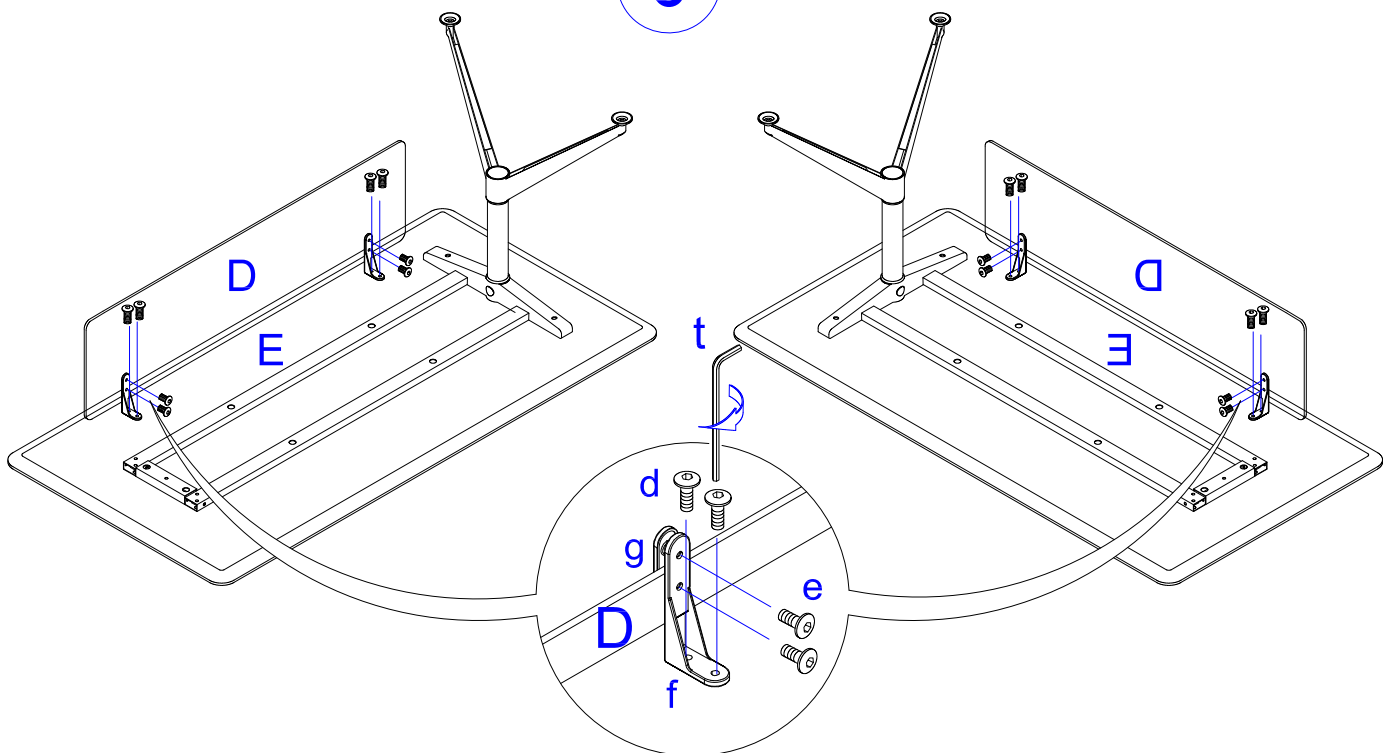
Right side facing cabinet
481

Left side facing cabinet
482

4

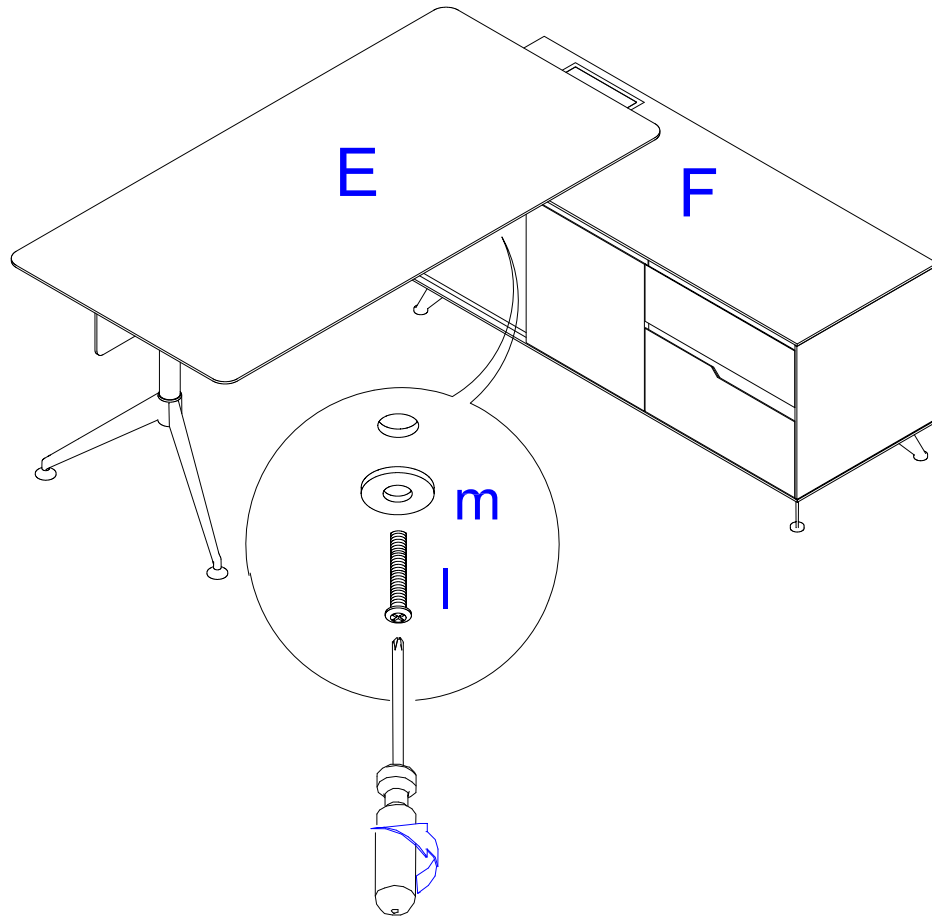


5



481

6



482

6

