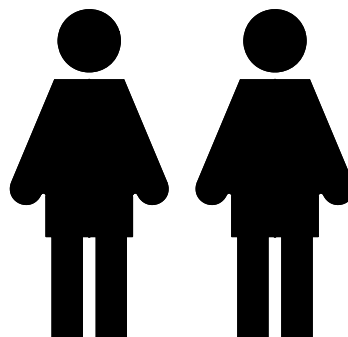
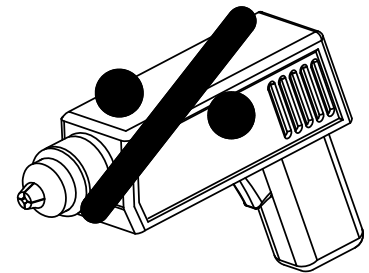
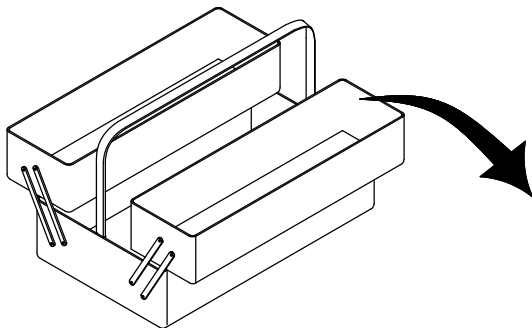
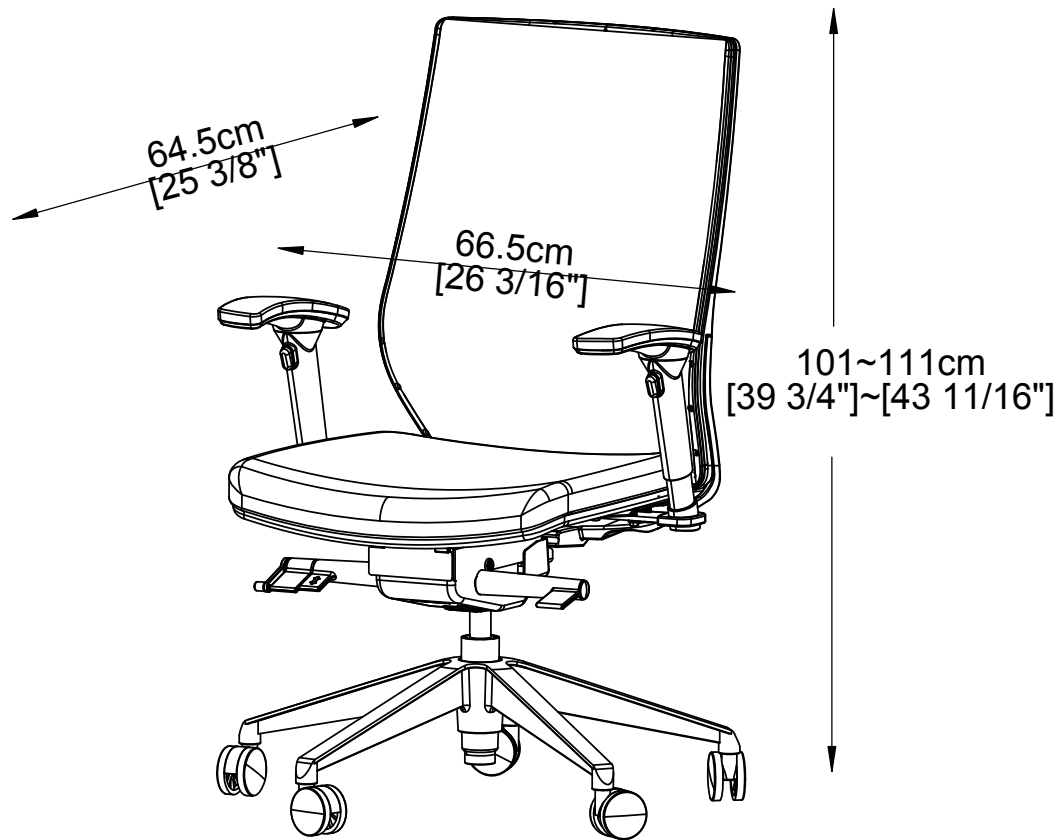


CEO M/B chair



WICHTIG - FÜR SPÄTERE VERWENDUNG
AUFBEWAHREN - SORGFÄLTIG LESEN

AVIS - Ces instructions doivent être sauvegardées
Pour utilisation future - Les instructions doivent
être suivies

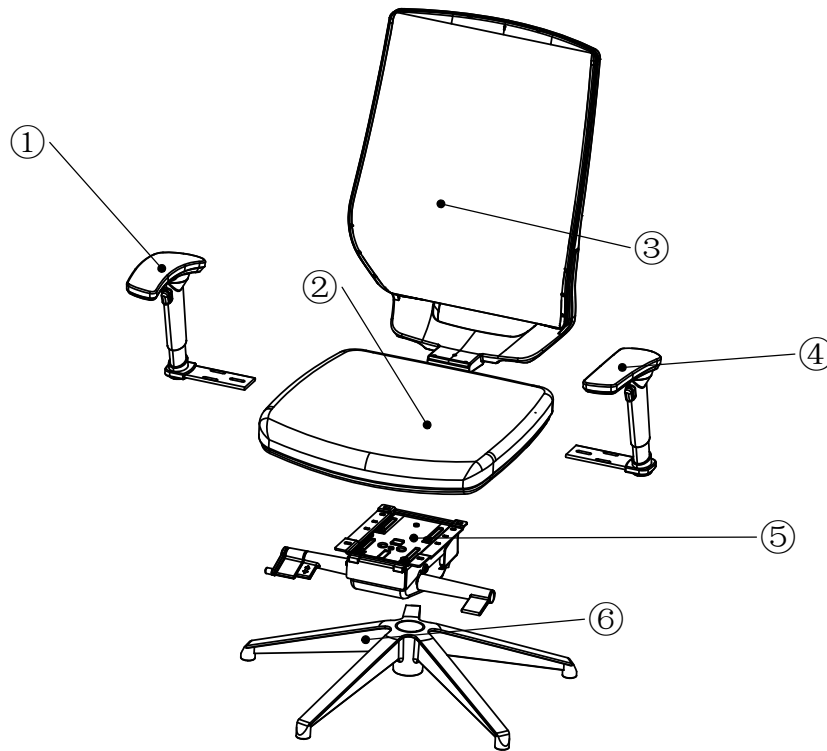
IMPORTANTE, conservar estas instrucciones
para futuro uso. Siga estas instrucciones atentamente

VIGTIGT - Samvejledningen skal opbevares
i arkiv til senere brug - Skal gennemlæses nøje

NOTICE - These instructions must be saved
for future use - Instructions must be followed

TEILCHECKLISTE
 LISTE DE CONTROLE
 LISTADO DE CONTROL
 TJEKLISTE
 CHECK LIST

| Réf. /No . | Réf. /Art. | Qty. /Stck. /Quantité | Size / Maß / Dimension (mm) | Qty. /Stck. /Quantité | ✓ |
|------------|------------|-----------------------|-----------------------------|-----------------------|---|
| 1 | | 1 | 280*280*197 | | |
| 2 | | 1 | 486*498*73 | | |
| 3 | | 1 | 610*280*407 | | |
| 4 | | 1 | 280*280*197 | | |
| 5 | | 1 | 467*310*120 | | |
| 6 | | 1 | Φ686*128 | | |



Sollten Sie eventuelle Ersatzteile oder Reklamationsteile fordern, dann bitten wir Sie, diese Seite mitzubringen.

En cas de service apres - vente, veuillez nous retourner ce coupon.

En caso de necesitar piezas de repuesto, por favor adjunte esta página.

Skulle de få brug for reklamationsdele, beder vi dem medsende denne side.

If you should be in the need of spareparts, please enclose this page.

Name/Nom/Nombre/Navn: _____

Adresse/Dirección/Address: _____

PLZ/Code postale/CP/Post.nr: _____

Telefon/Telephone/Telefono/Phone: _____

Oberfläche/Finition/Tratamiento/ Handling/Treatment: _____









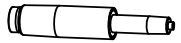
No./Référence: _____

Ursache/Motif/Motivo/Årsag/Reason: _____



TEILCHECKLISTE - LISTE DE CONTROLE - LISTADO DE CONTROL- TJEKLISTE - CHECK LIST

| Réf./No. | Réf./Art. | Qty./Stck./Quantité | ✓ |
|----------|-----------|---------------------|---|
| A | 982718 | 2 | |
| B | 982700 | 8 | |
| C | 982712 | 3 | |
| D | 982703 | 6 | |
| E | 982704 | 2 | |
| F | 982706 | 1 | |
| G | 982707 | 1 | |
| H | 982719 | 5 | |
| I | 982720 | 1 | |
| | | | |
| | | | |
| | | | |

| | | | | | |
|--|---|---|---|--|--|
| <p>2 - A</p>  <p>1/4*32mm (1/4"*1 1/4")</p> | <p>8 - B</p>  <p>1/4*25mm (1/4"*1")</p> | <p>3 - C</p>  <p>M8x20mm (M8 x 13/16")</p> | <p>6 - D</p>  <p>Φ6.5 (1/4")</p> | <p>2 - E</p>  <p>Φ25*6 (Φ25*1/4")</p> | <p>1 - F</p>  <p>M4</p> |
| <p>1 - G</p>  <p>M5</p> | <p>5 - H</p>  <p>Φ60*89 (Φ60*3 1/2")</p> | <p>1 - I</p>  <p>Φ50*355mm (Φ50*14")</p> | | | |
| | | | | | |
| | | | | | |

Geehrter Kunde.
Hier haben Sie die Möglichkeit die mitgelieferten
Schrauben nachzumessen.

Cher Client.
La règle ci jointe vous permet de mesurer la visserie.

Estimado cliente.
aquí podrá medir la tornillería adjunta.

Kære kunde.
Her har De muligheden for at måle medsendte beslag.

Dear Customer.
Below you have the opportunity to measure the
Enclosed Hardware.

Name/Nom/Nombre/Navn: _____

Adresse/Dirección/Address: _____

PLZ/Code postale/CP/Post.nr: _____

Telefon/Telephone/Telefono/Phone: _____

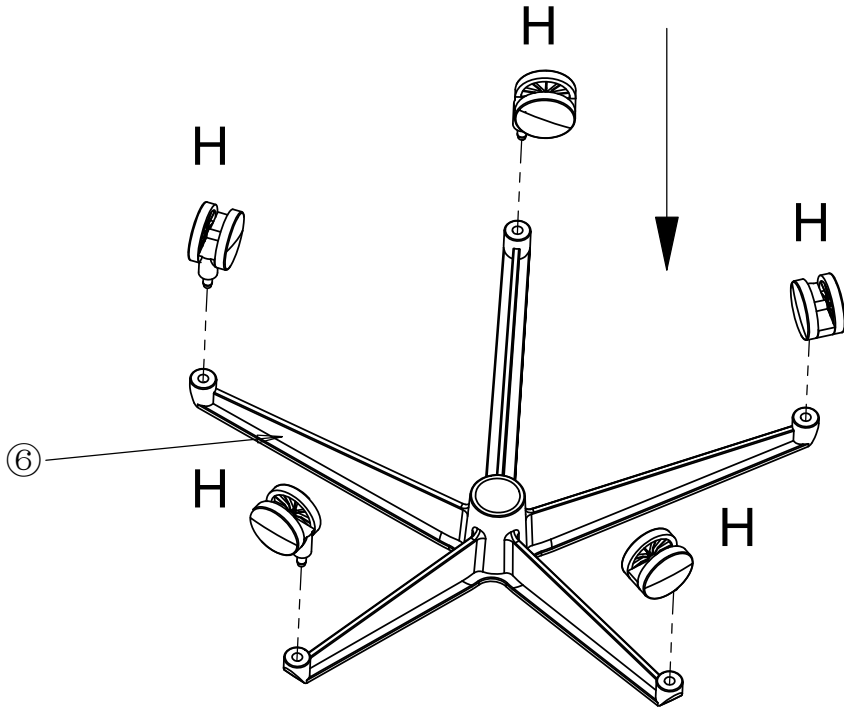
Oberfläche/Finition/Tratamiento/
Behandling/Treatment: _____

No./Référence: _____

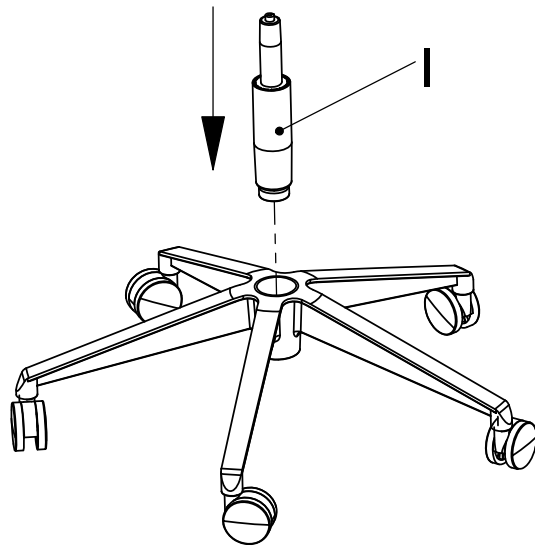
Ursache/Motif/Motivo/Årsag/Reason: _____

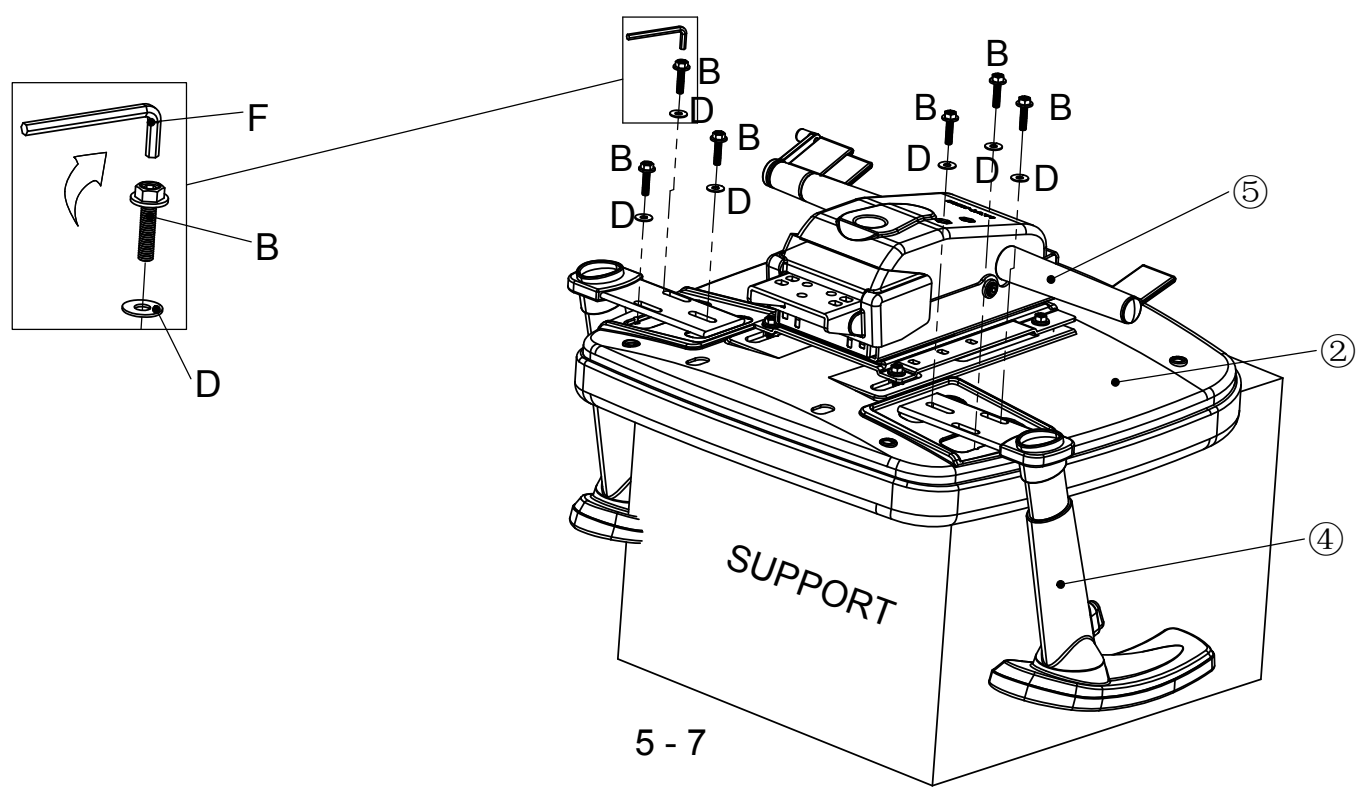
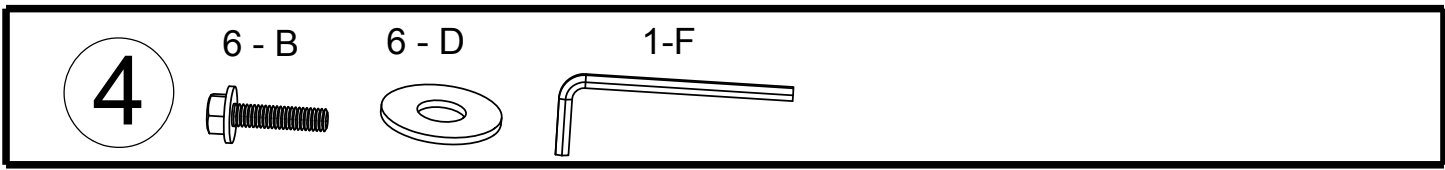
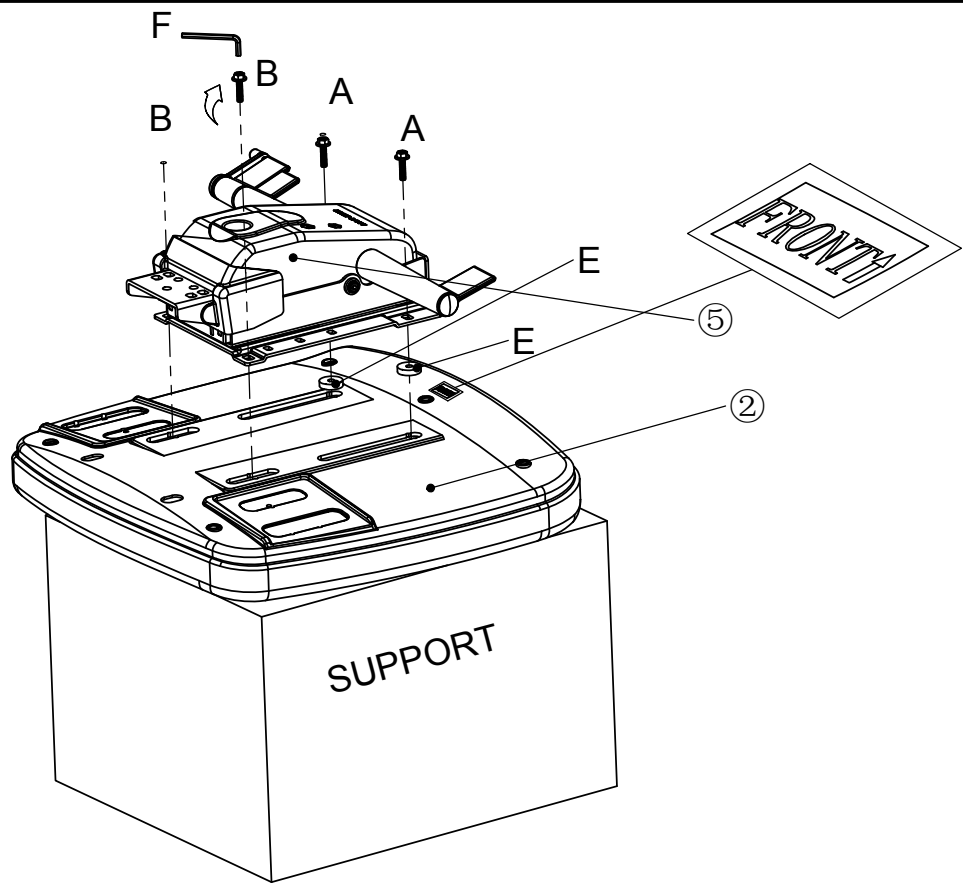
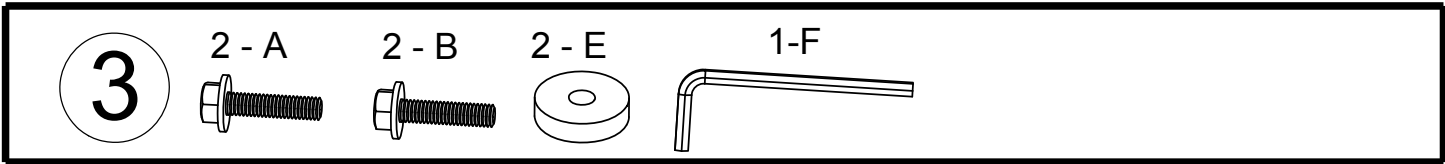


1 5-H

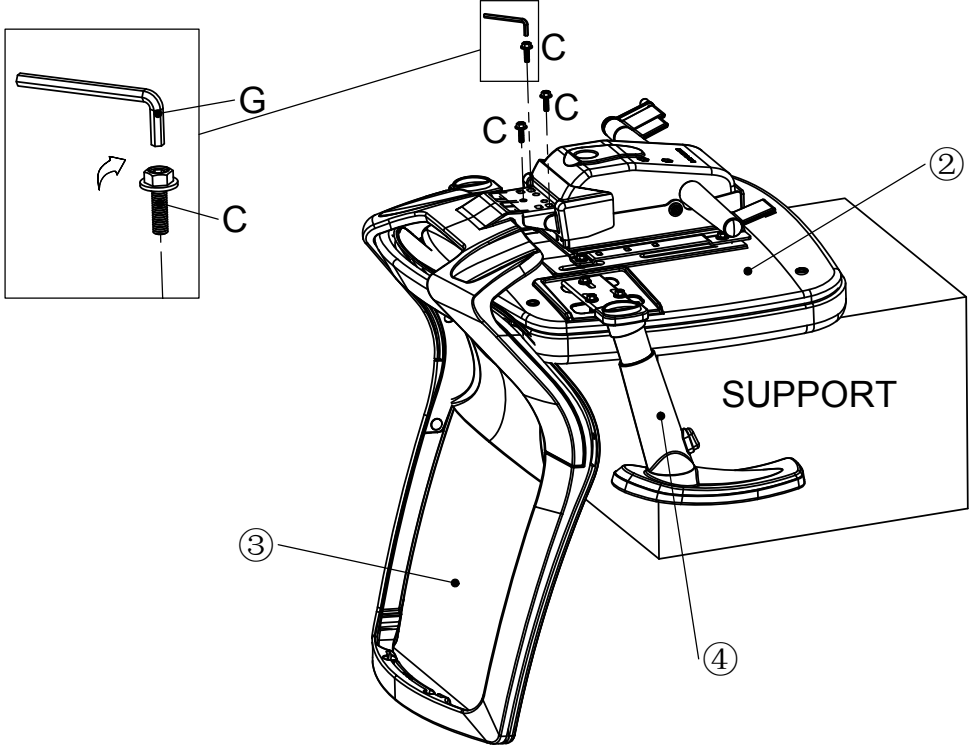


2 1-I

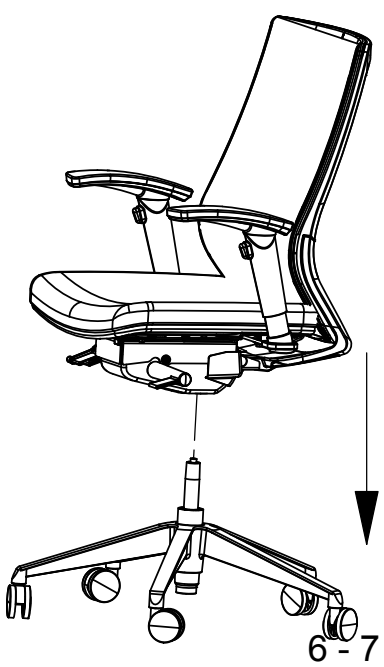




5 3 - C 1 - G

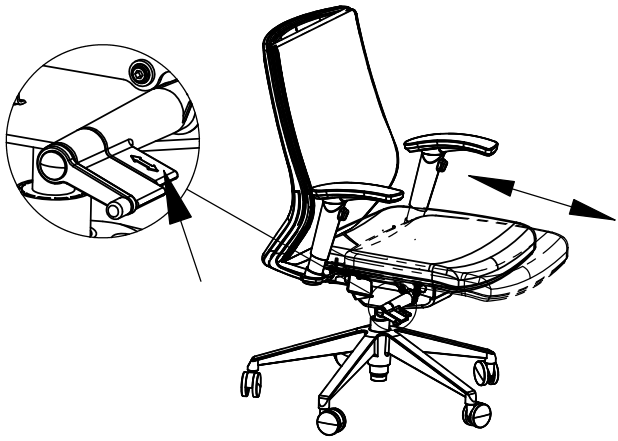


6



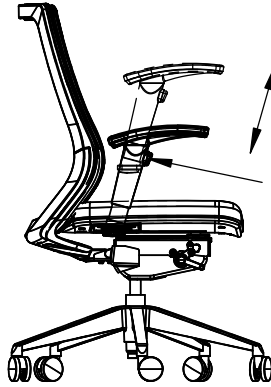
Adjustable seat

To adjust the seat depth, push the lever on right side down



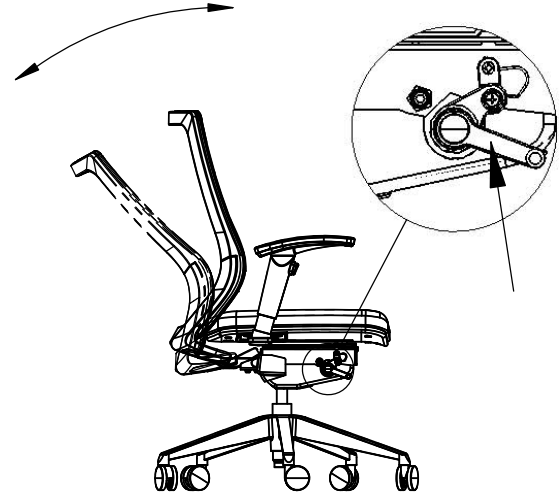
Adjustable Arm Height

To adjust the arm pad height, push the lever on the outside of the arm support and move the arm up and down. Release the lever to lock.



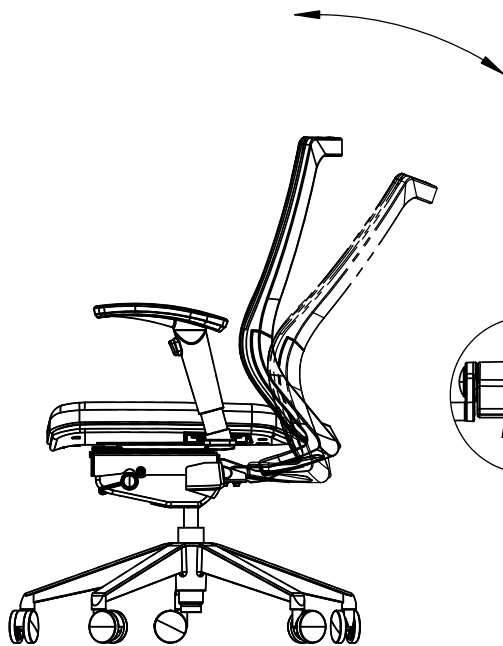
Tilt Tension

To adjust the tilt tension, turn the knob under the front of the seat. Turn clockwise to tighten, and counter clockwise to loosen.



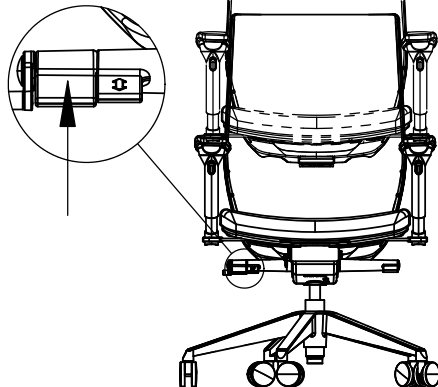
Tilt Lock

To Recline, pull the lever on the left side out, then lean back into chair. To lock, push the lever in.



Seat Height

To raise the seat up, remove your weight from the chair while lifting the lever under the right side of the seat. To lower the seat down, lift the lever while sitting in chair.



Adjust Lumbar Support

To adjust the Lumbar support height, slide it up or down.

