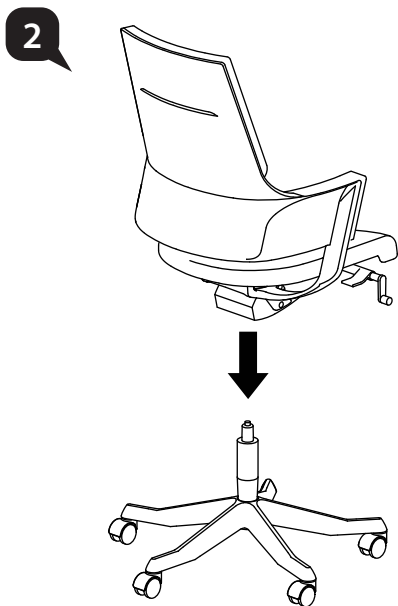
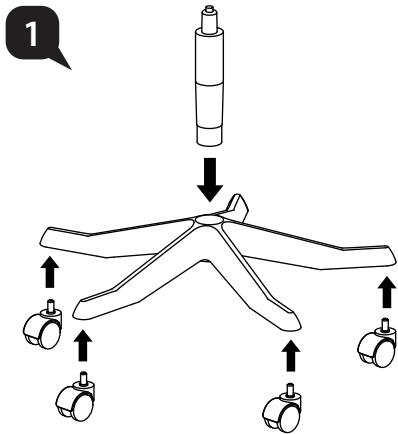




## Assembly Instructions

Model:5014-5016 LA Mid Back Chair



## User Instructions

### **A** *Seat Height Adjustment*

Flip up lever on right-side to raise or lower seat. Adjust such that your feet are adequately supported on floor.

### **B** *Multi-Position Tilt Lock*

Recline to desired position, and flip down lever on left-side to lock. Flip up lever to release tilt-lock.

### **C** *Tilt Tension Control*

Turn side knob clockwise to provide a stronger tilt tension, and vice-versa. Adjust such that minimum effort is required to push back when recline.

